



KEY FEATURES

- Special 90° spiral lens optic for homogeneous light distribution
- IP65 waterproof, suitable for dusty and humid environments
- Integrated LED with a long lifespan of L80B10 76,000 hours / L90B50 50,000 hours
- Plug & Play installation 3-pole IP68 screwless connector
- Integrated premium LED Driver Philips Xitanium + Philips Lumileds chips
- Standard 1-10V Dimmable
- Up to 140 lumens per watt
- 5 years Pragmalux warranty

DETAILS



Back



Spiral lens

IP65 IK08 650° GWT 140LM/W 1-10V 90°

5 PRAGMALUX
YEAR
WARRANTY

OPTIONS



3000K 5000K



ACCESSORIES



Reflector Alu
4605111



Prisma reflector
4607825



Adjustable bracket
4605623
4605104



Daylight sensor
4607092



IP68 connector
included

SPECIFICATIONS (ACCORDING TO EN IEC 62722-2-1)

ITEM CODE	DESCRIPTION	W	LM	LM/W	KELVIN	CRI	INPUT CURRENT	LIFETIME L80	EQUIVALENT	BEAM ANGLE
4605067	LED Highbay Storm 100W 4000K 90° 1-10V Dim Black	100	14000	140	4000	≥80	0.46	76000	200W	90°
4605074	LED Highbay Storm 120W 4000K 90° 1-10V Dim Black	120	16800	140	4000	≥80	0.55	76000	250W	90°
4605081	LED Highbay Storm 150W 4000K 90° 1-10V Dim Black	150	21000	140	4000	≥80	0.69	76000	250W	90°
4605098	LED Highbay Storm 200W 4000K 90° 1-10V Dim Black	200	28000	140	4000	≥80	0.91	76000	400W	90°

TECHNICAL DATA

ELECTRICAL DATA	
Voltage (V)	220-240
Frequency (Hz)	50/60
Power factor (λ)	≥0.90
Operating mode	Integrated LED Driver
Electrical connection	Max 3x1,0 mm² wire
Total harmonic distortion	≤ 15 %

TEMPERATURES & OPERATING CONDITIONS

Ambient temperature	25°C
Operating temperature	-30 ~ +45°C
Storage temperature	-30 ~ +80°C

COLORS & MATERIALS

Color (Housing)	Black RAL9017
Material (Housing)	Aluminum
Material (Reflector)	PC

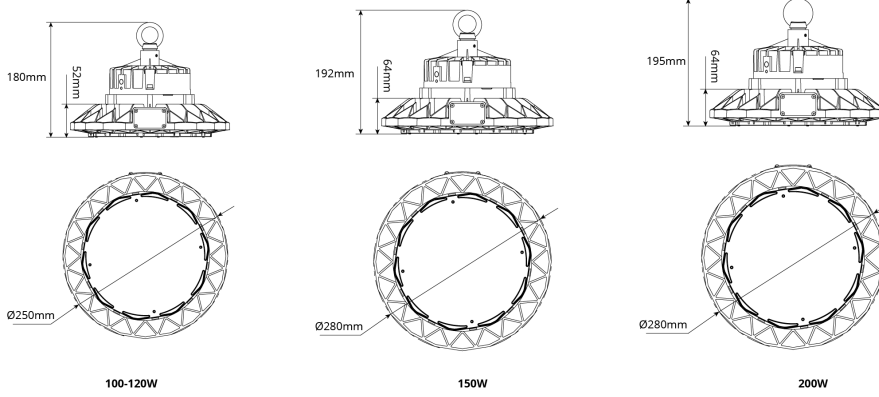
ITEM CODE	DESCRIPTION	DRIVER FAILURE RATE AT 5,000H	INRUSH CURRENT IPEAK (A)	INRUSH CURRENT TWIDTH (µs)	MAX. NO. OF DRIVERS ON MCB TYPE B 10A	MAX. NO. OF DRIVERS ON MCB TYPE B 16A	MAX. NO. OF DRIVERS ON MCB TYPE C 10A	MAX. NO. OF DRIVERS ON MCB TYPE C 16A
4605067	LED Highbay Storm 100W 4000K 90° 1-10V Dim Black	≤1%	53	180	9	15	15	25
4605074	LED Highbay Storm 120W 4000K 90° 1-10V Dim Black	≤1%	55	214	5	9	9	15
4605081	LED Highbay Storm 150W 4000K 90° 1-10V Dim Black	≤1%	55	214	5	9	9	15
4605098	LED Highbay Storm 200W 4000K 90° 1-10V Dim Black	≤1%	56	326	3	5	5	8

PRAGMALUX

All rights reserved. Pragmalux - PDL Lighting Group B.V. retains the right to modify product specifications without any prior notice or obligation and does not assume any liability for any consequences of using this document. Subject to errors and printing errors. Luminous flux tolerance: +/- 10%. Power consumption tolerance: +/- 10%.

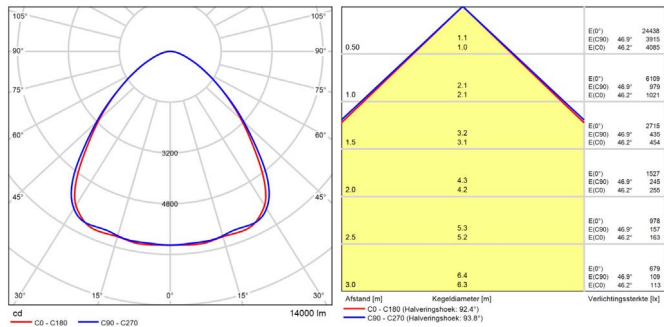
Version: February 2021

DIMENSIONS

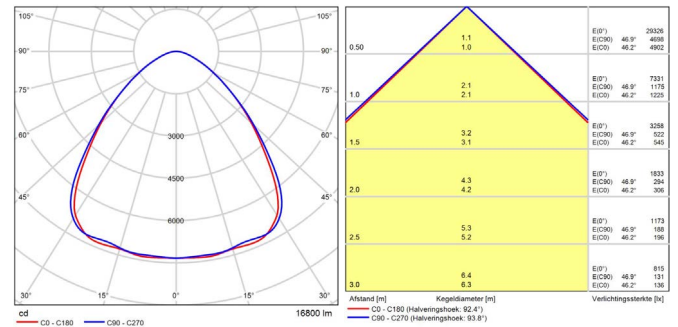


PHOTOMETRIC SPECIFICATIONS

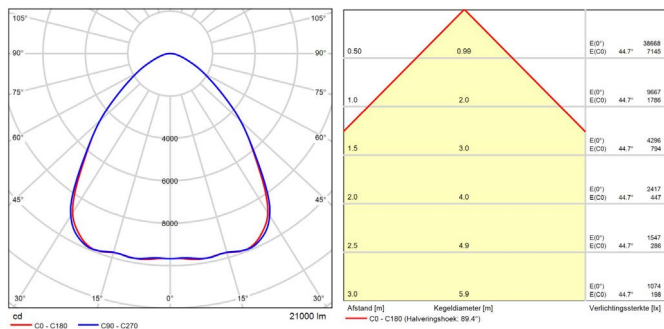
LED HIGHBAY STORM 100W 4000K 90° 1-10V DIM BLACK



LED HIGHBAY STORM 120W 4000K 90° 1-10V DIM BLACK



LED HIGHBAY STORM 150W 4000K 90° 1-10V DIM BLACK



LED HIGHBAY STORM 200W 4000K 90° 1-10V DIM BLACK

